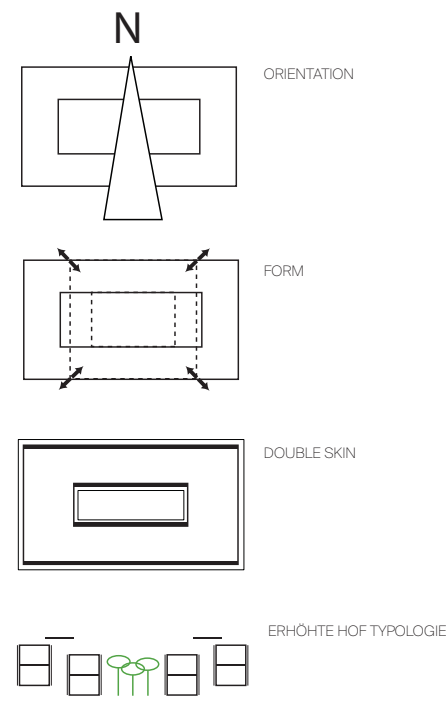


New Lands Commission

International competition und realization Headoffice New Lands Commission
year 2010 ongoing **location** Accra, Ghana **program** 5.500 sqm offices **project team** Mareike Henschel, Martin Sobota **cooperation** Atenastudio, 3TI Italia, Orthner Orthner Associates, Accra **1.prize**

The design for the landmark building of 5.500sqm, housing the New Lands Commission will be a symbol of the new spirit of transparency and efficiency, bringing together the currently dispersed Land Sector Agencies. The building has an important symbolic impact due to the recent nationwide establishment of the land registry and is to represent a new All-Ghanaian identity. The design responds to local climatic and social parameters throughout all scales. All design-elements, from the urban setting out to the building's shape and its materialization aim towards natural and sustainable performance, fulfilling several functions at the same time. The circulation system forms the core of the building, spiraling upwards between two rings of offices on different levels. By breaking the clear separation between floors this system provides a continuous movement, bringing the NLC together on one continuous floor, with a variety of perspectives in and throughout the building.

The parametric design of the outer appearance of the building guaranties functional performance whilst allowing for aesthetic variation. The diamond-shaped bamboo panels all follow the lowest sun-angle providing shade and filtered natural light at the same time.



Grundriss Level 1



Eingangsbereich

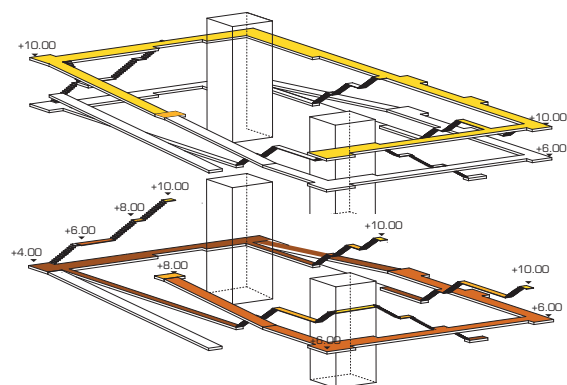
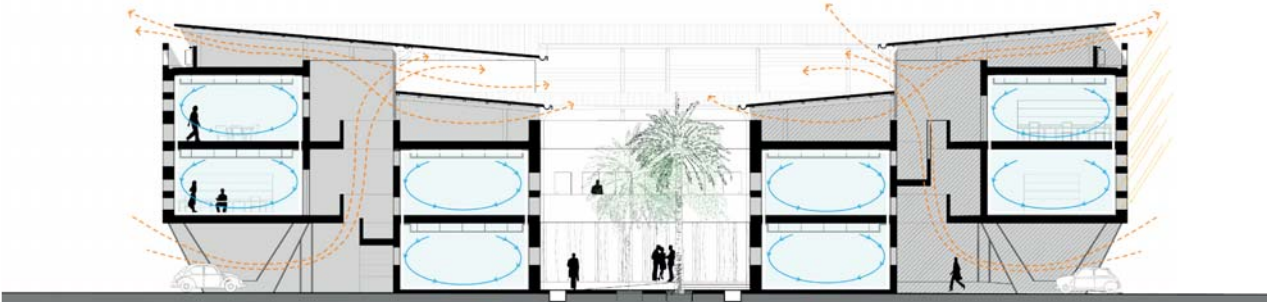


Diagramm Erschließungssystem



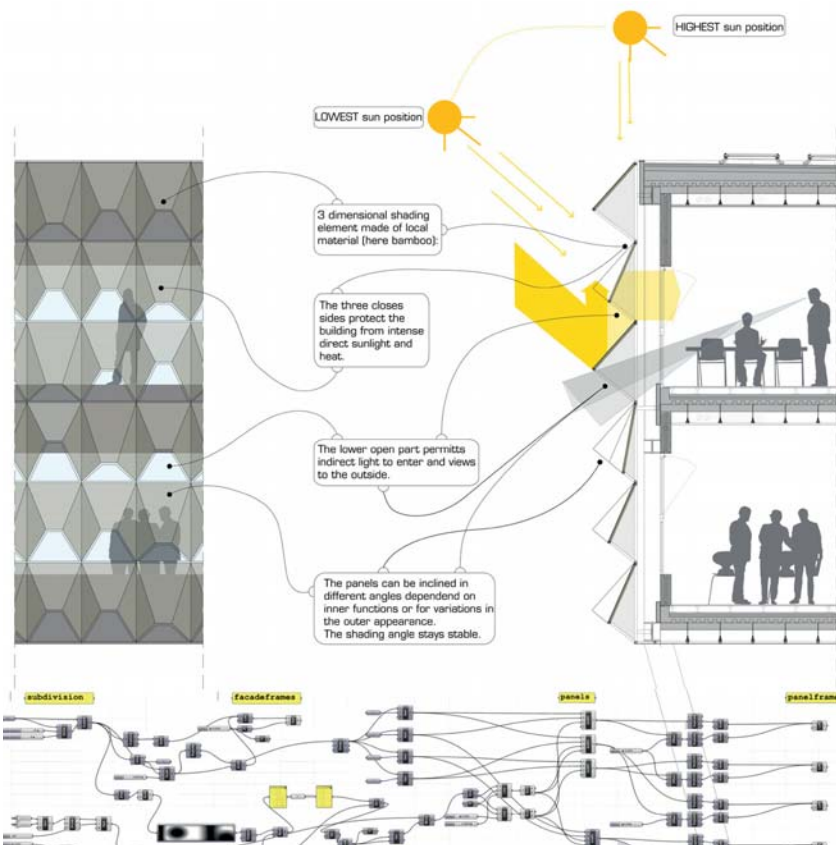
Erschließungszone



Climate Concept



View from inner Square - Main Entrance



Parametric facadedesign with diamond-shaped panels